

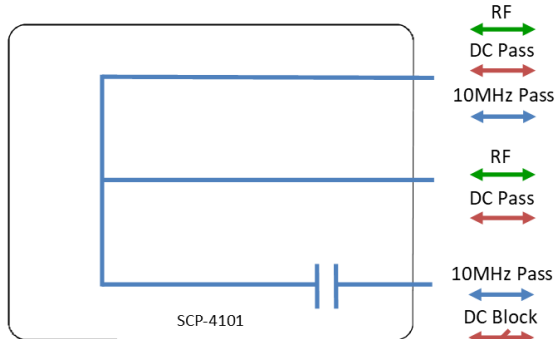


Model Number:
SCP-4101

RF Components

Scorpion Series L-Band Multiplexer

850 - 2150 MHz



- Multiplexes L-band and 10MHz onto Port 2
- Port 1 and Port 2 DC pass
- 10MHz Input port DC blocked.
- To be used as standalone unit or fitted to the Scorpion 1U rack mount chassis SCP-1U-11

Available with RF connector options:

- 50 Ω SMA
- 50 Ω N-type
- 50 Ω BNC
- 75 Ω BNC



850 - 2150 MHz
Operating frequency range.



Chassis Mounting

Tapped screw & through hole for use with Scorpion 1U chassis mount systems



Compact

Housed in rugged compact enclosure



RF Parameters

SCP-4101-XXXXXX	S5S5S5	N5N5N5	B5B5B5	B7B7B7	F7F7F7
Frequency Range	850-2150 MHz				
RF Connectors	50Ω SMA	50Ω N-Type	50Ω BNC	75Ω BNC	75Ω F-Type
Common Port:	-	-	-	-	-
Mean Insertion Loss (dB)	≤ 0.6	≤ 0.6	≤ 0.6	≤ 0.8	≤ 0.9
Flatness ± (dB)	0.3	0.3	0.3	0.3	0.3
Return Loss (dB)	Typ	18	18	16	12
	Min	14	14	12	8
L-Band Port :	-	-	-	-	-
Return Loss (dB)	Typ	18	18	16	12
	Min	14	14	12	8
10MHz :	-	-	-	-	-
Mean Insertion Loss (dB)	≤ 0.4	≤ 0.4	≤ 0.4	≤ 0.6	≤ 0.6
Isolation (dB)	30	30	30	30	30

Broadcast



Marine Oil & Gas



SNG & VSAT



Satellite Teleport





RF Components

Model Number:

SCP-4101

Scorpion Series L-Band Multiplexer

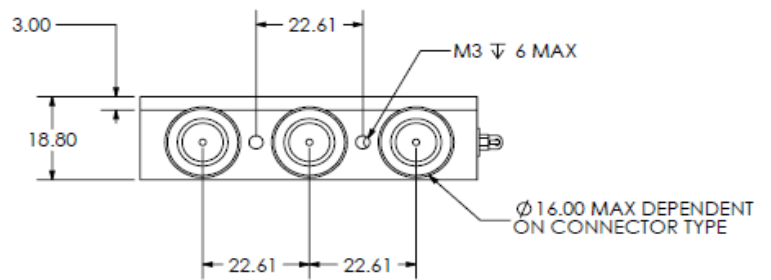
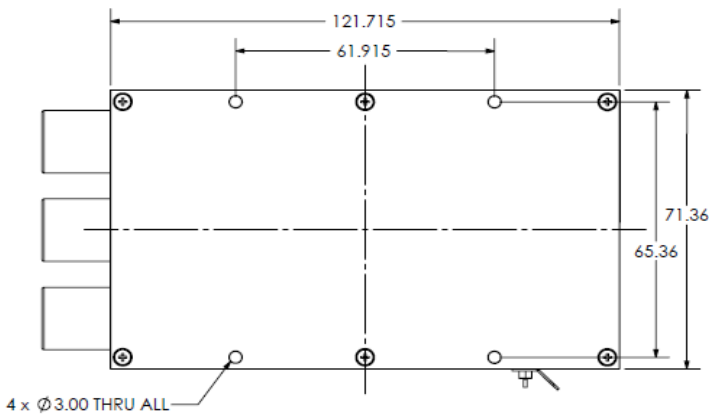
Technical specifications and operating parameters

Environmental		
Operating Temperature		0°C to +45°C
Storage Temperature		-20°C to +75°C
Location		Indoor use Only
Humidity	Max	85% non-condensing
Altitude	Max	10,000 feet

Max Operating Parameters	
Input RF Power	5W Max total RF power
DC Voltage	24V Max
DC Current	2A Max

! Operation beyond these limits may cause instantaneous and permanent damage.

Physical Dimensions (mm)



Note: The specification is subject to regular reviews and will be updated from time to time as part of our continuing product development and improved specification accuracy.

ETL SYSTEMS LIMITED
Coldwell Radio Station
Madley
Hereford
England HR2 9NE

TELEPHONE
+44 (0)1981 259020

EMAIL
info@etlsystems.com

FACSIMILE
+44 (0)1981 259021

WEB
www.etlsystems.com